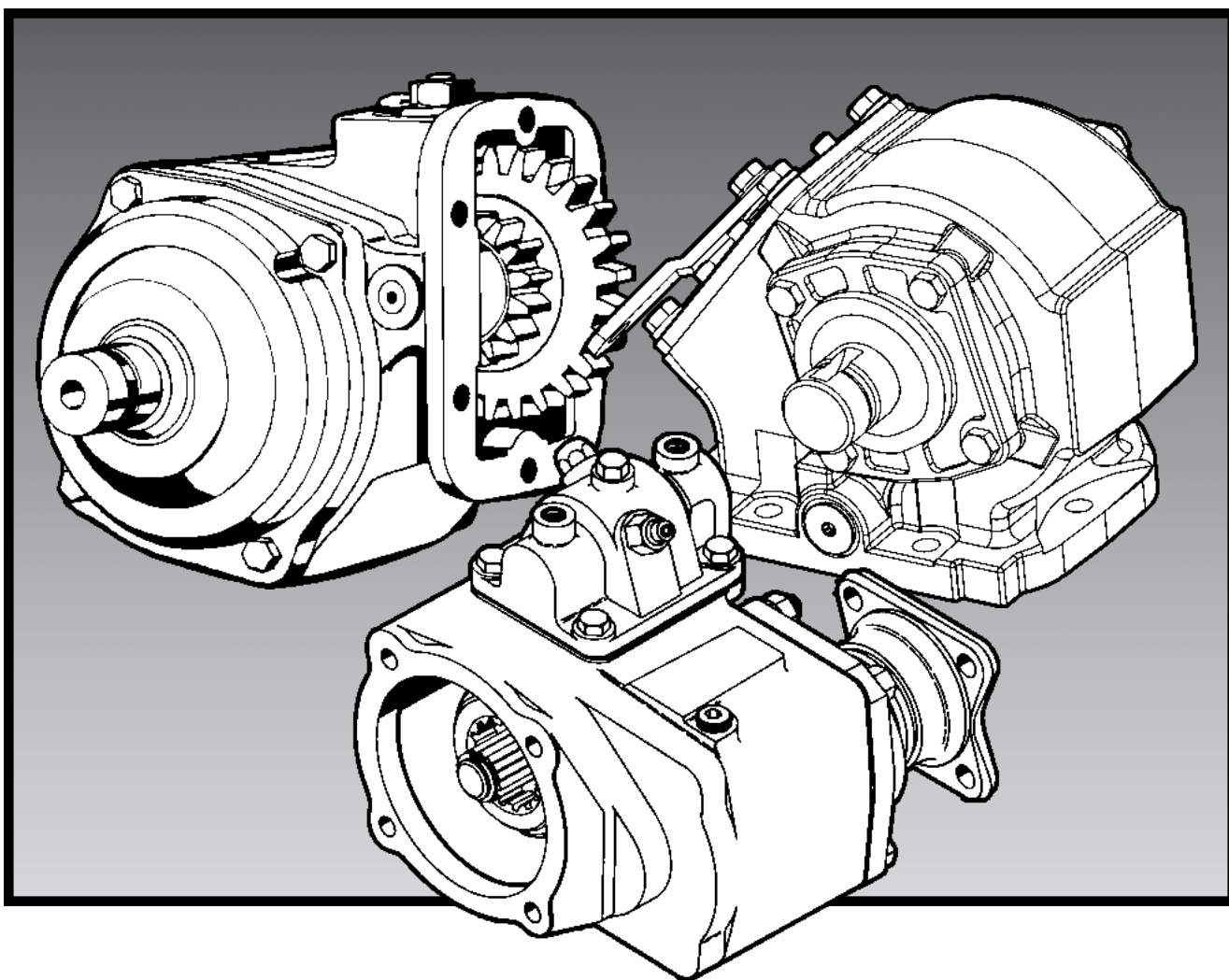


Parts List 912 Series

Effective: December 15, 2001
Supersedes: P410-912 Dated March 2000



 **WARNING**

FAILURE OR IMPROPER SELECTION OR IMPROPER USE OF THE PRODUCTS AND/OR SYSTEMS DESCRIBED HEREIN OR RELATED ITEMS CAN CAUSE DEATH, PERSONAL INJURY AND PROPERTY DAMAGE.

This document and other information from Parker Hannifin Corporation, its subsidiaries and authorized distributors provide product and/or system options for further investigation by users having technical expertise. It is important that you analyze all aspects of your application and review the information concerning the product or system in the current product catalog. Due to the variety of operating conditions and applications for these products or systems, the user, through its own analysis and testing, is solely responsible for making the final selection of the products and systems and assuring that all performance, safety and warning requirements of the application are met.

The products described herein, including without limitation, product features, specifications, designs, availability and pricing, are subject to change by Parker Hannifin Corporation and its subsidiaries at any time without notice.

Offer of Sale

The items described in this document are hereby offered for sale by Parker Hannifin Corporation, its subsidiaries or its authorized distributors. This offer and its acceptance are governed by the provisions stated in the "Offer of Sale".

© Copyright 2001, Parker Hannifin Corporation, All Rights Reserved

Contents

Full View 1

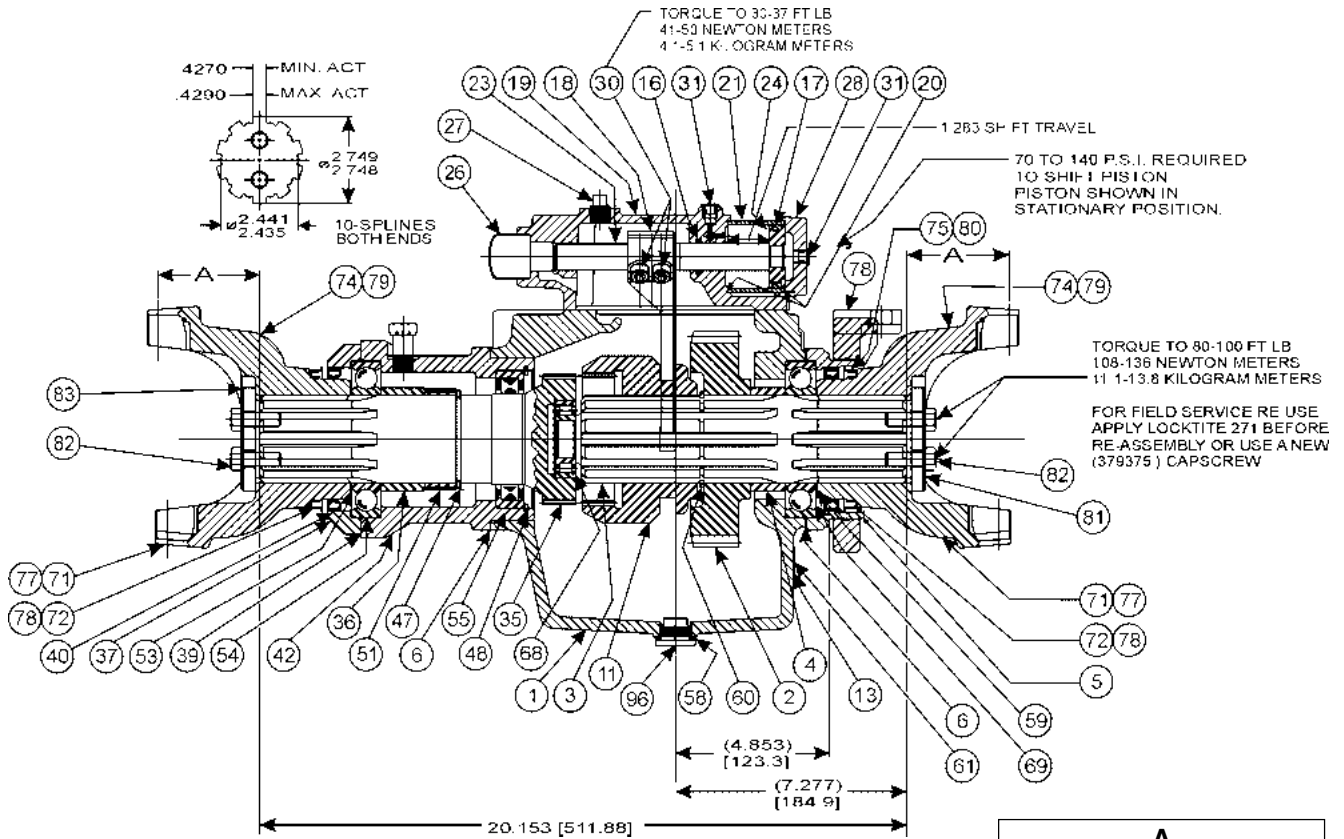
Side View 1

Bill of Materials 2-3

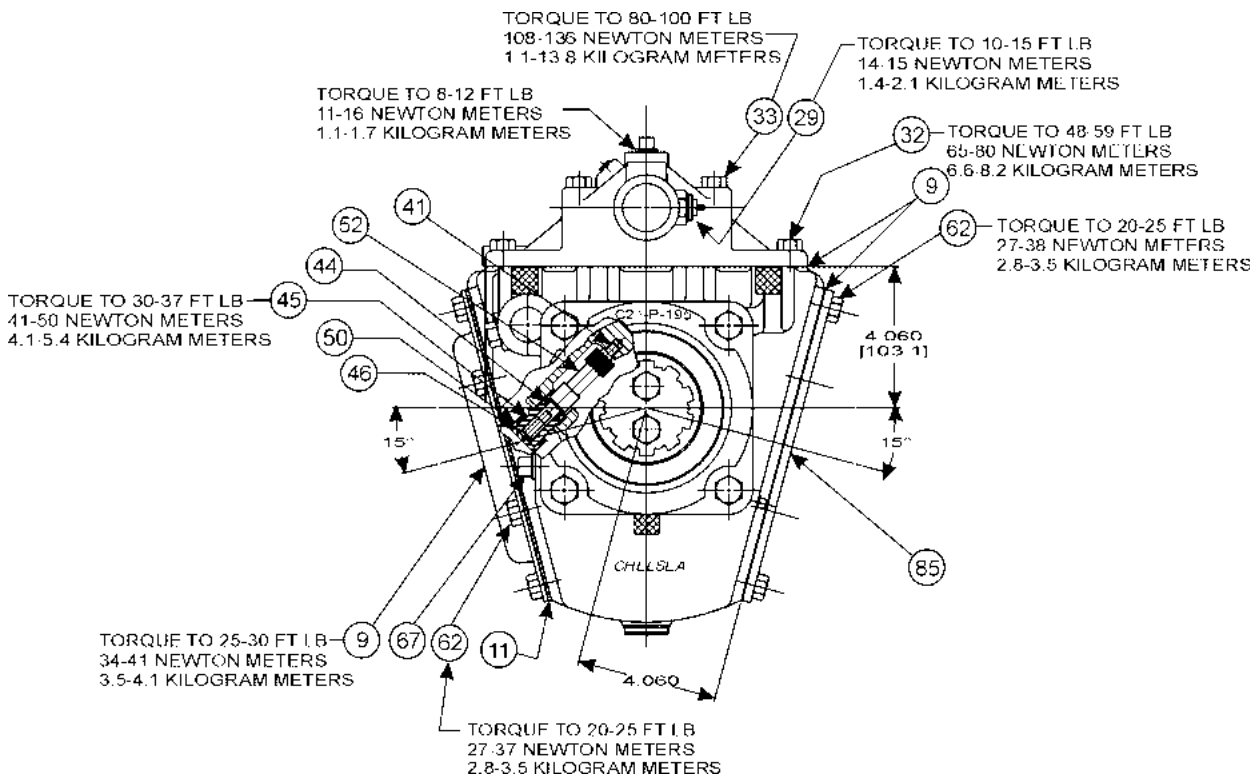
Mounting Detail 4

Model Number Designation 5

Offer of Sale 8



A	
SPL-170	3.088 [78.44]
1710	2.988 [75.89]
SPL-250	3.538 [89.86]
1810	3.300 [83.82]
1610 Flange ..	1.253 [31.83]



Bill of Materials

Item	Part Number	Description	Quantity
1	1-P-484	Housing (912 Series)	1
2	2-P-710	P.T.O. Drive Gear	1
3	3-P-848	Drive Shaft, Input	1
4	4-P-87	Spacer, Bearing	1
5	21-P-513	Bearing Retainer, Input	1
6	22-P-45	Gasket	2
7	28-P-237	Oil Seal	1
9	34-P-53	Cover Plate	2
10	35-P-15-2	Gasket, Cover (.020" Thick)	2
11	35-P-32	Gasket, Cover Plate (.094" Thick)	1
12	57-P-11	Sliding Clutch	1
13	68-P-2	Name Plate	1
	329063X	AIR SHIFT COVER ASSEMBLY, 912 Series	1
16	28-P-114	O-Ring	1
17	28-P-115	O-Ring	1
18	32-P-164	Shifter Fork	1
19	34-P-109	Shifter Cover	1
20	35-P-30	Gasket	2
21	65-P-13	Cyl. Air Shift	1
	329064X	Shifter Shaft Sub Assembly	1
23	11-P-148	Shifter Shaft	1
24	66-P-8	Piston	1
25	378431-26	Cap Screw, Hex Head	2
26	378473	Plug, Housing	1
27	378513	Breather	1
28	378838	Cylinder Cap	1
29	379652	Indicator Switch	1
30	379374	Capscrew, Socket Head	2
31	500897-3	Shipping Plug	2
32	378432-11	Cap Screw, Hex Head (.438"-14 x 1.125") w/Patch	6
33	378432-26	Cap Screw, Hex Head (.438"-14 x 3.00") w/Patch	2
	329065X	Tail Shaft Sub ASSEMBLY (Items 35-55) (Ref. 3.750" Dia. Hub)	1
	329098X	Tail Shaft Sub ASSEMBLY, No Speedo (Items 35-55, Less Items 44 & 45)	1
35	3-P-821	Output Shaft	1
36	4-P-145	Spacer, Output Shaft	1
37	21-P-512	Bearing Cap Output	1
N.S.	378513	Breather	1
39	22-P-85	Gasket, Output Cap	1
40	28-P-237	Oil Seal	1
41	45-P-7	Bushing	1
42	54-P-20	Bearing Retainer	1
	328984X	Bushing Assembly, Speedo	1
44	28-P-181	Seal	1
45	379337	Bushing	1
46	378309	Gasket Dust Cap	1
47	378357	Lockring	1
48	378359	Lockring	1
49	378433-12	Capscrew, Hex Head	4
50	378512	Dust Cap	1
51	379322	Gear, Speedo-Drive	1
52	379333	Gear, Speedo-Driven	1
53	379479	Gasket, Shaft	1
54	550574	Ball Bearing	1
55	550811	Roller Bearing	1
57	378116	Drain Plug	1
58	378117	Gasket, Copper	1
59	379479	Gasket, Shaft	1

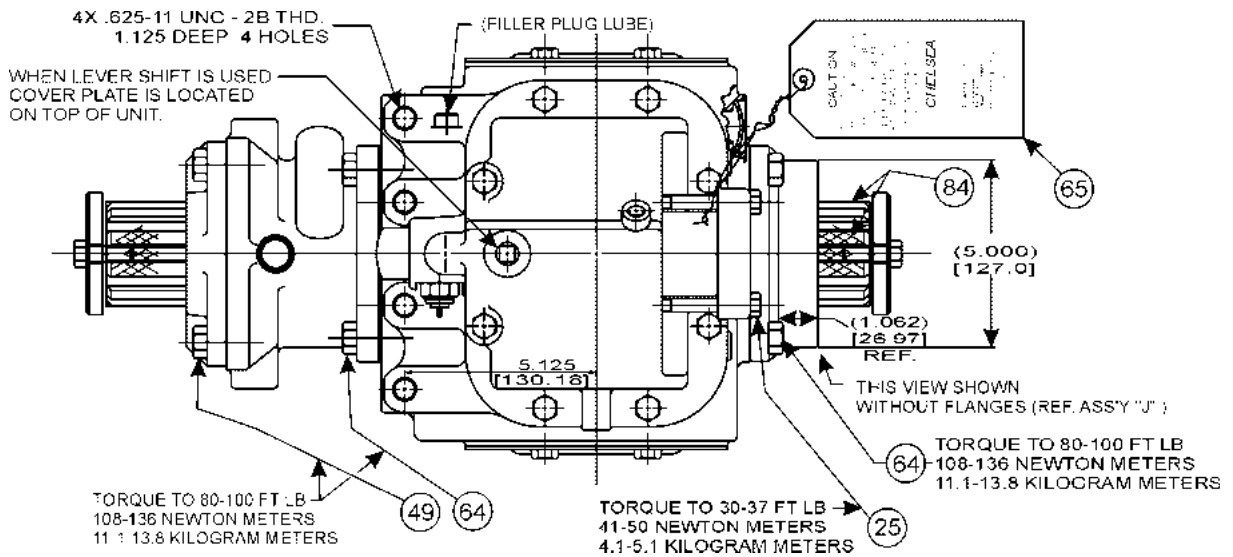
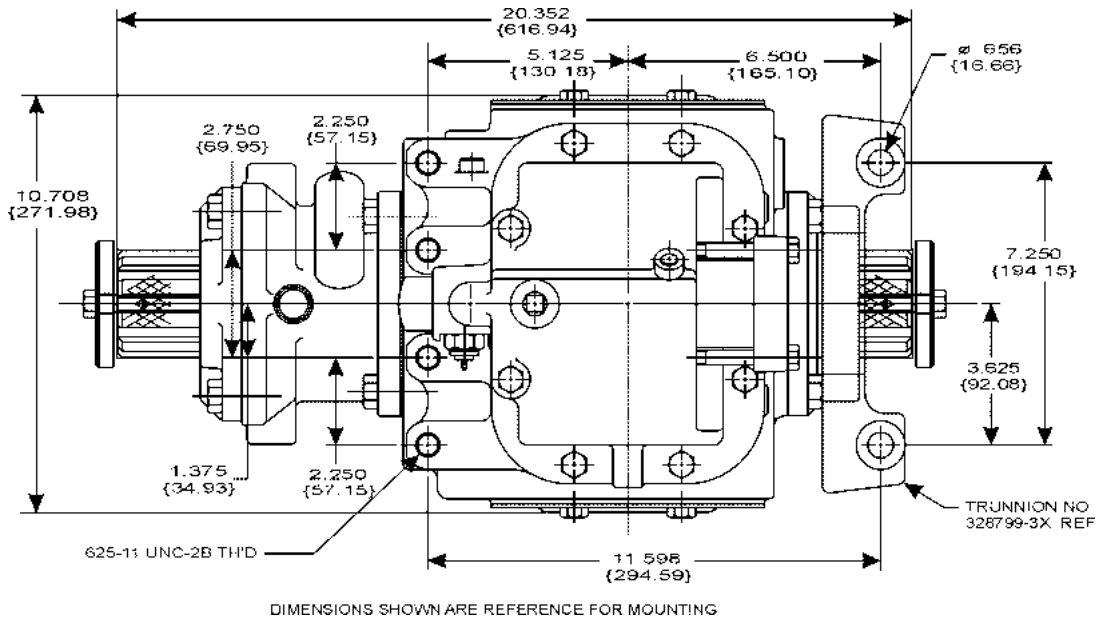
N.S. — Not Shown

A.R. — As Required

Item	Part Number	Description	Quantity
60	378357	Retaining Ring	1
61	378422	Drive Screw	2
62	378432-9	Capscrew, Hex Head (.438"-14 X .875") w/Patch	10
64	378433-12	Capscrew, Hex Head (.500"-13 X 1.25") w/Patch	8
65	379334	Oil Level Caution Tag w/Wire Tie	1
67	500114-3	Pipe Plug (.500"-14 N.P.T.F.)	1
68	550443	Roller Bearing	1
69	550574	Ball Bearing	1
END YOKE OPTIONS			
	6-4-6931-1X	End Yoke & Slinger Ass'y, 1710 Series (1/2 Round)	2 or
71	6-4-6821-1	Yoke, 1710 Series	1
72	231616	Slinger (Ref. Spicer No.)	1
	6.5-4-3561-1X	End Yoke & Slinger Ass'y, 1810 Series (1/2 Round)	2 or
74	6.5-4-3491-1	Yoke, 1810 Series	1
75	231616	Slinger (Ref. Spicer No.)	1
	170-4-521-1X	End Yoke & Slinger Ass'y, SPL170 Series (1/2 Round)	2 or
77	170-4-511-1	Yoke, SPL170 Series	1
78	231616	Slinger (Ref. Spicer No.)	1
	250-4-241-1X	End Yoke & Slinger Ass'y, SPL250 Series (1/2 Round)	2 or
79	250-4-231-1	Yoke, SPL250 Series	1
80	231616	Slinger (Ref. Spicer No.)	1
	5-1-6611X	Companion Flange Ass'y	2
N.S.	2-5-6601	1610 Companion Flange	1
N.S.	231616	Slinger (Ref. Spicer No.)	1
81	328799-3X	Trunnion Block	1
82	379375	Capscrew, Hex Head (.500"-20 X 1.250") w/Drylock 200	4
83	379350	Washer Lock Plate	2
84	379372	Protective Shipping Net (Red) ("J" Assembly Only)	2
85	378280	Shipping Cover	1
LOOSE PARTS			
	328388-39X	Installation Kit, Air Shift	1
SERVICE PARTS			
	328948-10X	Gasket & Installation Instructions	1
	328356-62X	Seal Kit, Air shift	
	328356-63X	Seal Kit, w/Speedometer	
	328356-64X	Seal Kit, w/o Speedometer	
	328356-65X	Seal Kit, Lever Shift	

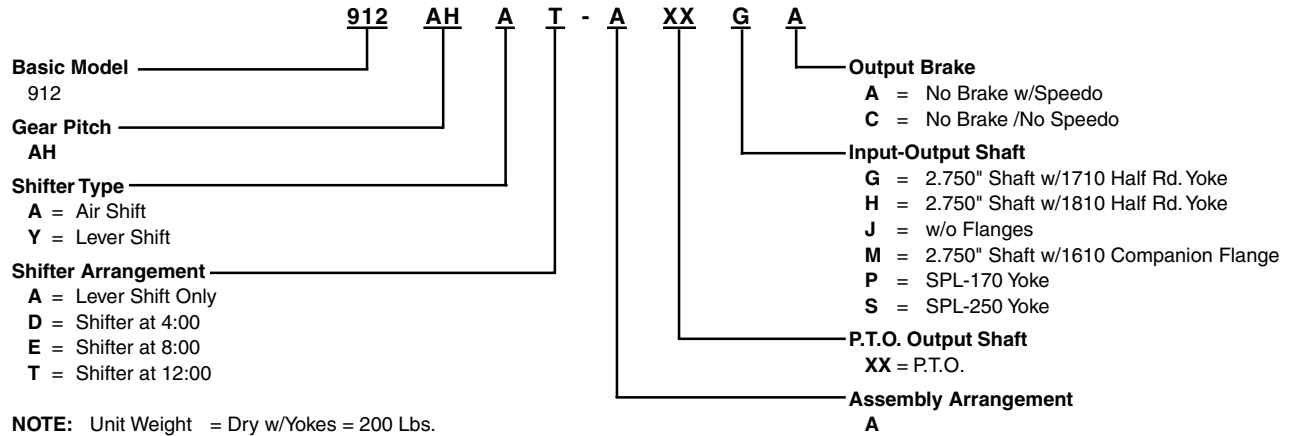
N.S. — Not Shown

A.R. — As Required



Model Number Designation

**Power Take-Off
912 Series**



NOTE: Unit Weight = Dry w/Yokes = 200 Lbs.
Oil Capacity = 2.5 Qts. (Less P.T.O.)
Type of Lube = S.A.E. 30 or S.A.E. 50 Wt.

Offer of Sale

The items described in this document and other documents or descriptions provided by Parker Hannifin Corporation, its subsidiaries and its authorized distributors are hereby offered for sale at prices to be established by Parker Hannifin Corporation, its subsidiaries and its authorized distributors. This offer and its acceptance by any customer ("Buyer") shall be governed by all of the following Terms and Conditions. Buyer's order for any such items, when communicated to Parker Hannifin Corporation, its subsidiary or an authorized distributor ("Seller") verbally or in writing, shall constitute acceptance of this offer.

1. Terms and Conditions of Sale: All descriptions, quotations, proposals, offers, acknowledgments, acceptances and sales of Seller's products are subject to and shall be governed exclusively by the terms and conditions stated herein. Buyer's acceptance of any offer to sell is limited to these terms and conditions. Any terms or conditions in addition to, or inconsistent with those stated herein, proposed by Buyer in any acceptance of an offer by Seller, are hereby objected to. No such additional, different or inconsistent terms and conditions shall become part of the contract between Buyer and Seller unless expressly accepted in writing by Seller. Seller's acceptance of any offer to purchase by Buyer is expressly conditional upon Buyer's assent to all the terms and conditions stated herein, including any terms in addition to, or inconsistent with those contained in Buyer's offer. Acceptance of Seller's products shall in all events constitute such assent.

2. Payment: Payment shall be made by Buyer net 30 days from the date of delivery of the items purchased hereunder. Amounts not timely paid shall bear interest at the maximum rate permitted by law for each month or portion thereof that the Buyer is late in making payment. Any claims by Buyer for omissions or shortages in a shipment shall be waived unless Seller receives notice thereof within 30 days after Buyer's receipt of the shipment.

3. Delivery: Unless otherwise provided on the face hereof, delivery shall be made F.O.B. Seller's plant. Regardless of the method of delivery, however, risk of loss shall pass to Buyer upon Seller's delivery to a carrier. Any delivery dates shown are approximate only and Seller shall have no liability for any delays in delivery.

4. Warranty: Seller warrants that the items sold hereunder shall be free from defects in material or workmanship for a period of:

(A) All Power Take-Off units one (1) year from date of installation.

(B) Except 267, 277, 278, 242, 244, 245, 250, 251 and 859 series two (2) years from date of installation. **THIS WARRANTY COMPRISES THE SOLE AND ENTIRE WARRANTY PERTAINING TO ITEMS PROVIDED HEREUNDER. SELLER MAKES NO OTHER WARRANTY, GUARANTEE, OR REPRESENTATION OF ANY KIND WHATSOEVER. ALL OTHER WARRANTIES, INCLUDING BUT NOT LIMITED TO, MERCHANTABILITY AND FITNESS FOR PURPOSE, WHETHER EXPRESS, IMPLIED, OR ARISING BY OPERATION OF LAW, TRADE USAGE, OR COURSE OF DEALING ARE HEREBY DISCLAIMED. NOTWITHSTANDING THE FOREGOING, THERE ARE NO WARRANTIES WHATSOEVER ON ITEMS BUILT OR ACQUIRED WHOLLY OR PARTIALLY, TO BUYER'S DESIGNS OR SPECIFICATIONS.**

5. Limitation Of Remedy: SELLER'S LIABILITY ARISING FROM OR IN ANY WAY CONNECTED WITH THE ITEMS SOLD OR THIS CONTRACT SHALL BE LIMITED EXCLUSIVELY TO REPAIR OR REPLACEMENT OF THE ITEMS SOLD OR REFUND OF THE PURCHASE PRICE PAID BY BUYER, AT SELLER'S SOLE OPTION. IN NO EVENT SHALL SELLER BE LIABLE FOR ANY INCIDENTAL, CONSEQUENTIAL OR SPECIAL DAMAGES OF ANY KIND OR NATURE WHATSOEVER, INCLUDING BUT NOT LIMITED TO LOST PROFITS ARISING FROM OR IN ANY WAY CONNECTED WITH THIS AGREEMENT OR ITEMS SOLD HEREUNDER, WHETHER ALLEGED TO ARISE FROM BREACH OF CONTRACT, EXPRESS OR IMPLIED WARRANTY, OR IN TORT, INCLUDING WITHOUT LIMITATION, NEGLIGENCE, FAILURE TO WARN OR STRICT LIABILITY.

6. Changes, Reschedules and Cancellations: Buyer may request to modify the designs or specifications for the items sold hereunder as well as the quantities and delivery dates thereof, or may request to cancel all or part of this order, however, no such requested modification or cancellation shall become part of the contract between Buyer and Seller unless accepted by Seller in a written amendment to this Agreement. Acceptance of any such requested modification or cancellation shall be at Seller's discretion, and shall be upon such terms and conditions as Seller may require.

7. Special Tooling: A tooling charge may be imposed for any special tooling, including without limitation, dies, fixtures, molds and patterns, acquired to manufacture items sold pursuant to this contract. Such special tooling shall be and remain Seller's property notwithstanding payment of any charges by Buyer. In no event will Buyer acquire any interest in apparatus belonging to Seller which is utilized in the manufacture of the items sold hereunder, even if such apparatus has been specially converted or adapted for such manufacture and notwithstanding any charges paid by Buyer. Unless otherwise agreed, Seller shall

have the right to alter, discard or otherwise dispose of any special tooling or other property in its sole discretion at any time.

8. Buyer's Property: Any designs, tools, patterns, materials, drawings, confidential information or equipment furnished by Buyer or any other items which become Buyer's property, may be considered obsolete and may be destroyed by Seller after two (2) consecutive years have elapsed without Buyer placing an order for the items which are manufactured using such property, Seller shall not be responsible for any loss or damage to such property while it is in Seller's possession or control.

9. Taxes: Unless otherwise indicated on the face hereof, all prices and charges are exclusive of excise, sales, use, property, occupational or like taxes which may be imposed by any taxing authority upon the manufacture, sale or delivery of the items sold hereunder. If any such taxes must be paid by Seller or if Seller is liable for the collection of such tax, the amount thereof shall be in addition to the amounts for the items sold. Buyer agrees to pay all such taxes or to reimburse Seller therefore upon receipt of its invoice. If Buyer claims exemption from any sales, use or other tax imposed by any taxing authority, Buyer shall save Seller harmless from and against any such tax, together with any interest or penalties thereon which may be assessed if the items are held to be taxable.

10. Indemnity For Infringement of Intellectual Property Rights: Seller shall have no liability for infringement of any patents, trademarks, copyrights, trade dress, trade secrets or similar rights except as provided in this Part 10. Seller will defend and indemnify Buyer against allegations of infringement of U.S. Patents, U.S. Trademarks, copyrights, trade dress and trade secrets (hereinafter 'Intellectual Property Rights'). Seller will defend at its expense and will pay the cost of any settlement or damages awarded in an action brought against Buyer based on an allegation that an item sold pursuant to this contract infringes the Intellectual Property Rights of a third party. Seller's obligation to defend and indemnify Buyer is contingent on Buyer notifying Seller within ten (10) days after Buyer becomes aware of such allegations of infringement, and Seller having sole control over the defense of any allegations or actions including all negotiations for settlement or compromise. If an item sold hereunder is subject to a claim that it infringes the Intellectual Property Rights of a third party, Seller may, at its sole expense and option, procure for Buyer the right to continue using said item, replace or modify said item so as to make it noninfringing, or offer to accept return of said item and return the purchase price less a reasonable allowance for depreciation. Notwithstanding the foregoing, Seller shall have no liability for claims of infringement based on information provided by Buyer, or directed to items delivered hereunder for which the designs are specified in whole or part by Buyer, or infringements resulting from the modification, combination or use in a system of any item sold hereunder. The foregoing provisions of this Part 10 shall constitute Seller's sole and exclusive liability and Buyer's sole and exclusive remedy for infringement of Intellectual Property Rights.

If a claim is based on information provided by Buyer or if the design for an item delivered hereunder is specified in whole or in part by Buyer, Buyer shall defend and indemnify Seller for all costs, expenses or judgments resulting from any claim that such item infringes any patent, trademark, copyright, trade dress, trade secret or any similar right.

11. Force Majeure: Seller does not assume the risk of and shall not be liable for delay or failure to perform any of Seller's obligations by reason of circumstances beyond the reasonable control of Seller (hereinafter 'Events of Force Majeure'). Events of Force Majeure shall include without limitation, accidents, acts of God, strikes or labor disputes, acts, laws, rules or regulations of any government or government agency, fires, floods, delays or failures in delivery of carriers or suppliers, shortages of materials and any other cause beyond Seller's control.

12. Entire Agreement/Governing Law: The terms and conditions set forth herein, together with any amendments, modifications and any different terms or conditions expressly accepted by Seller in writing, shall constitute the entire Agreement concerning the items sold, and there are no oral or other representations or agreements which pertain thereto. This Agreement shall be governed in all respects by the law of the State of Ohio. No actions arising out of the sale of the items sold hereunder or this Agreement may be brought by either party more than two (2) years after the cause of action accrues.

9/01-P



Parker Hannifin Corporation
Chelsea Products Division
8225 Hacks Cross Road
Olive Branch, Mississippi 38654 USA
Tel: (662) 895-1011
Fax: (662) 895-1019
www.parker.com/chelsea

FP 12/01 3M