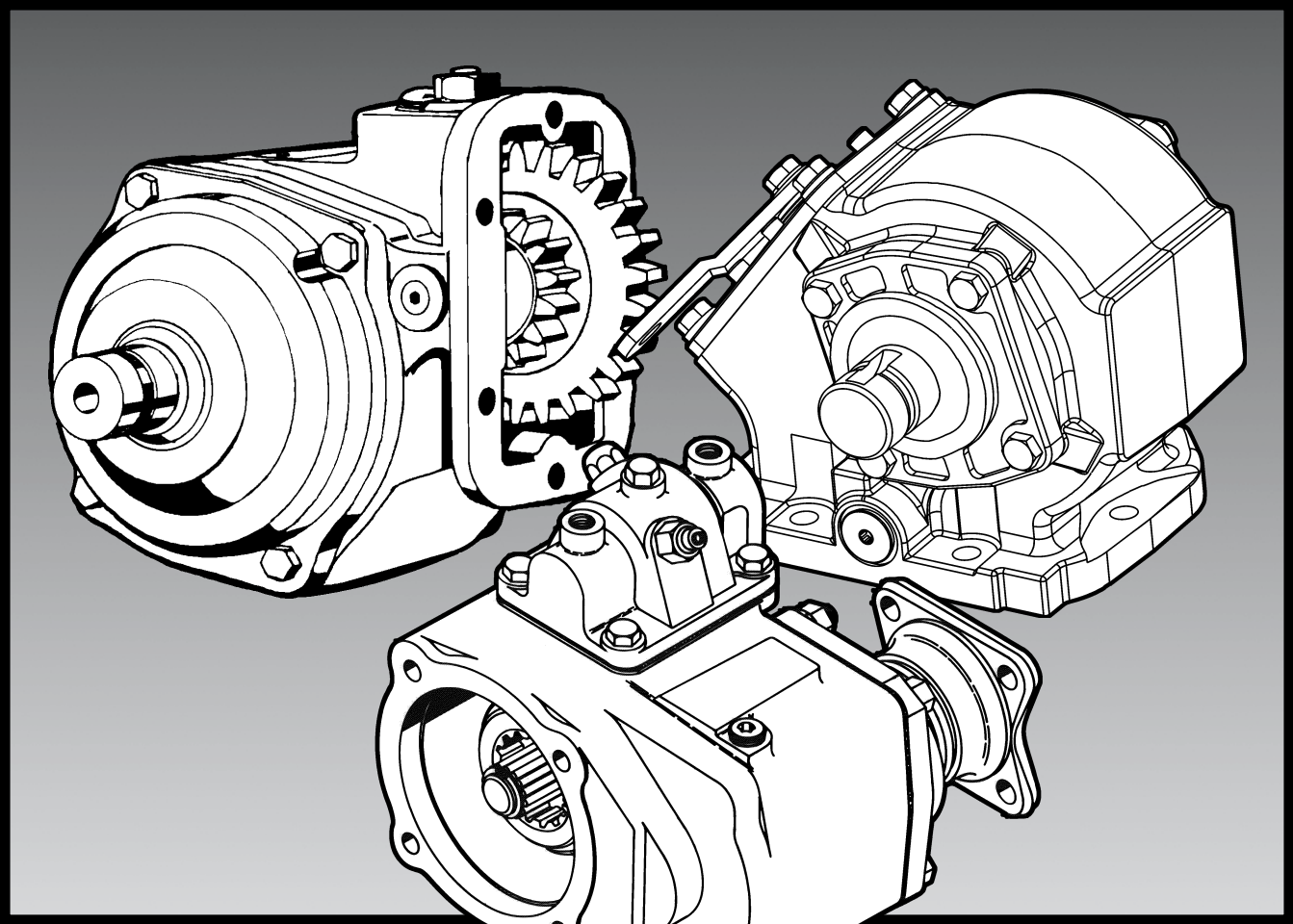


Parts List 245 Series

Effective: March 15, 2003



 **WARNING**

FAILURE OR IMPROPER SELECTION OR IMPROPER USE OF THE PRODUCTS AND/OR SYSTEMS DESCRIBED HEREIN OR RELATED ITEMS CAN CAUSE DEATH, PERSONAL INJURY AND PROPERTY DAMAGE.

This document and other information from Parker Hannifin Corporation, its subsidiaries and authorized distributors provide product and/or system options for further investigation by users having technical expertise. It is important that you analyze all aspects of your application and review the information concerning the product or system in the current product catalog. Due to the variety of operating conditions and applications for these products or systems, the user, through its own analysis and testing, is solely responsible for making the final selection of the products and systems and assuring that all performance, safety and warning requirements of the application are met.

The products described herein, including without limitation, product features, specifications, designs, availability and pricing, are subject to change by Parker Hannifin Corporation and its

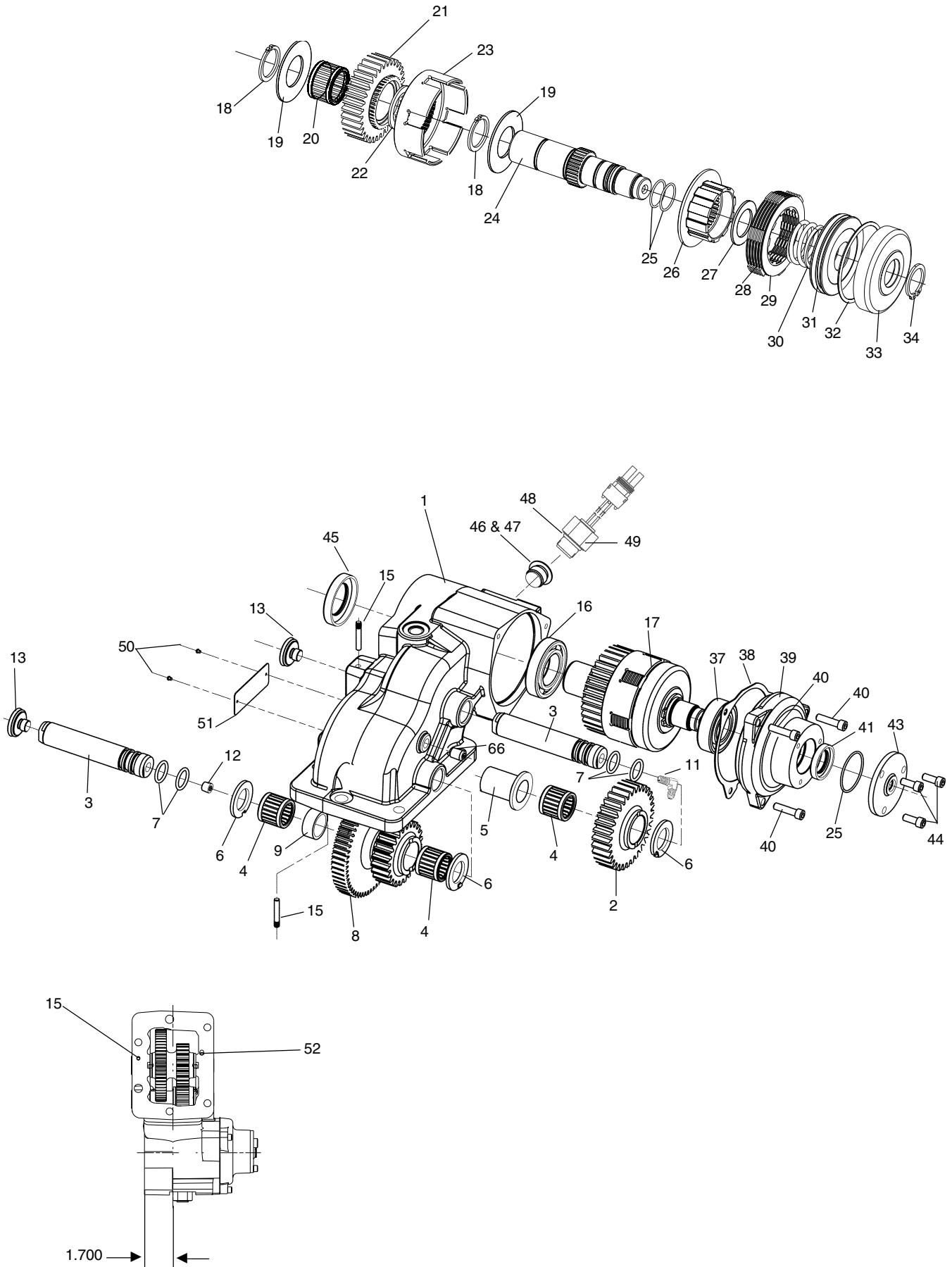
Offer of Sale

The items described in this document are hereby offered for sale by Parker Hannifin Corporation, its subsidiaries or its authorized distributors. This offer and its acceptance are governed by the provisions stated in the "Offer of Sale".

© Copyright 2003, Parker Hannifin Corporation, All Rights Reserved

Contents

Exploded View	1
Bill of Materials	2-3
Shift Installation Kit with Electronic Overspeed Control Bill of Materials	4
Shift Installation Kit with Electronic Overspeed Control Installation Drawing	5
Shift Installation Kit without Electronic Overspeed Control Bill of Materials	6
Hydraulic Installation without Electronic Overspeed Control	7
Wiring Installation Kit without Electronic Overspeed Control	8
PGP511 Pump Conversion Kit Bill of Material	9
P.T.O. Housing Dimensions	10
Pump Flange and Shaft Dimensions	11-12
Model Number Designation	13
Offer of Sale	16



Bill of Materials

Item	Part Number	Description	Quantity
1	1-P-596X	P.T.O. Housing (Includes Items 15 & 52)	1
2	33-P-75	Idler Gear	1
3	9-P-97	Idler Shaft	2
4	561014	Needle Bearing, Input/Idler Gear	3
5	4-P-179	Spacer, Idler Shaft	1
6	31-P-109	Thrust Washer, Tabbed	3
7	28-P-71	O-Ring (-115)	4
8	5-P-1387	Input Gear	1
9	14-P-78	Spacer, Input Shaft	1
11	379922	90° Elbow	1
12	379231	Pipe Plug	1
13	379719	NWD Plug	2
15	379696	Seal Lok Pin	2
16	561015	Ball Bearing	1
17	329364-1X	Driveshaft & Clutch Ass'y, (1-1/4" Keyed, XD)	1
	329364-2X	Driveshaft & Clutch Ass'y, (7/8"-13, XP)	1
	329364-3X	Driveshaft & Clutch Ass'y, (3/4"-11, AD)	1
18	378890	Retaining Ring	2
19	31-P-110	Thrust Washer	1
20	561013	Needle Bearing, Output Gear	1
21*	2-P-820	Output Gear	1
22	31-P-111	Thrust Washer	1
23*	379914	Output Gear Bell	1
24	3-P-952	Output Shaft (XD), (1-1/4" Round)	1 or
	3-P-953	Output Shaft (XP), (7/8"-13 Tooth Spline)	1 or
	3-P-954	Output Shaft (AD), (3/4"-11 Tooth Spline)	1
25	28-P-266	O-Ring (-022)	2
26	2-P-819	Clutch Gear	1
27	31-P-108	Thrust Washer	2
28	379691	Friction Disk	6
29	379692	Seperator Plate	5
30	37-P-56	Clutch Spring	1
31	379913	Clutch Piston	1
32	28-P-265	Lip Seal, Clutch	1
33	379705	Clutch Cylinder	1
34	379694	Retaining Ring	1
37	561005	Ball Bearing	1
38	22-P-103	Gasket Bearing Cap	1
39	21-P-656	Bearing Cap	1
40	379431-6	Soc. Hd. Capscrew (.250"-20 X 1.00")	3
41	28-P-119	Oil Seal, High Pressure	1
42	28-P-263	O-Ring (-029)	1
43	34-P-126	End Cap	1
44	379431-3	Soc. Hd. Capscrew (.250"-20 X .625")	3
45	28-P-216	Oil Seal (Output Side)	1
46	379231	Pipe Plug (.125"-27 NPTF) (Without E.O.C. Only)	1
47	379242	O-Ring Boss Plug (Without E.O.C. Only)	1
48	28-P-171	O-Ring (-908) (With E.O.C. Only)	1
49	379243	Speed Sensor (With E.O.C. Only)	1
50	378422	Drive Screw	2
51	68-P-2	Name Plate	1
52	378108	Ball	1

* Some early production units contained a one piece bell gear part number 2-P-823. This part is replaced by items 21 & 23.

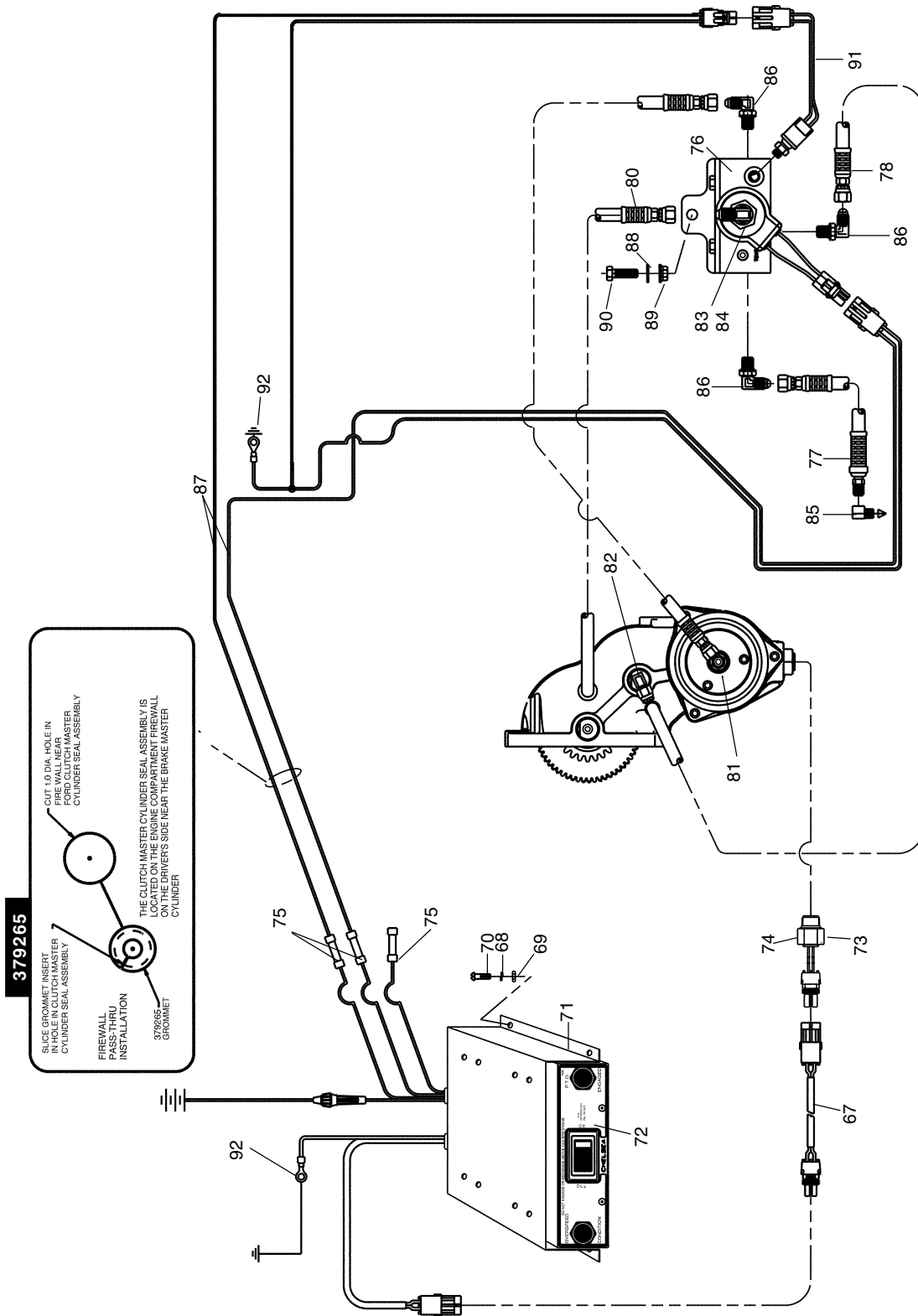
Item	Part Number	Description	Quantity
66 N.S.	379755	Shipping Plug	2
	500007-29	Woodruff Key (XD Output Only)	1
		Loose Parts	
	329229-4X	Pump Mounting Kit	1
	8000-16X	Mounting Kit	1
	28-P-200	O-Ring	1
	378924-52	Hex Capscrew, (M10-1.5" X 140mm)	1
	379697	Dowel, Split Hollow	2
	379706	Hex Capscrew, (M10-1.5" X 1.18")	5
	329299-5X	Installation Kit	1
	329369-1X	Wire Harness, Pressure Switch & Hose Fittings Kit	1
	329320-5X	Hose & Manifold Ass'y Kit	1
	329255-12X	Electrical Overspeed Control Kit	1
	329372-1X	Electrical Overspeed Control Installation Kit	1
		Service Kits	
	329376-4X	Complete Rebuild Kit (Includes 329376-1X, 329376-2X & 329376-3X)	1
	329376-1X	Gasket & Seal Kit	1
	329376-2X	Bearing Kit	1
	329376-3X	Clutch Repair Kit	1
	329376-5X	PGP511 Service Kit (4x4 Applications)	
	8611-023-QN1	PGP511 Service Kit (4x2 Applications)	
	329375X	Pump Mounting Kit, Convert PGP511 to 4x4 Applications	1
	22-P-104	P.T.O. Mounting Gasket (supplied with transmission)	1

N.S. Not Shown

Shift Installation Kit with Electronic Overspeed Control

Item	Part Number	Description	Quantity
	329255-12X	Electrical Overspeed Control Kit	1
67	328923-10X	Speed Sensor Extension Cable 10 ft. (Supplied w/E.O.C.)	1
	328931X	Mounting Parts	
68	500357-7	Lock Washer	4
69	500357-6	Hex Nut	4
70	500448-9	Machine Screw	4
71	379244	Mounting Bracket	1
72	329255-12X	Speed Limiter Control Box, 12 Volt	1
	379260	Caution Tag	1
	379318	E.O.C. Screw Driver	1
	68-P-33-1	Name Plate Spanish	1
	68-P-33-2	Name Plate French	1
73	379243	Speed Sensor	1
74	28-P-171	O-Ring	1
75	379252	Butt Connector	3
	329320-5X	Hose & Manifold Assembly Kit	1
76	329307-1X	Manifold Block Assembly	1
77	329232-2X	Hose Assembly (12.25"-12.75") Trans. Main Pressure to Manifold "IN"	1
78	329130-9X	Hose Assembly (10.5"-11.0") Manifold "LUBE" to P.T.O. Pressure Lube	1
79	329130X	Hose Assembly (12.0"-12.5") Manifold "OUT" to Clutch Pack	1
80	329057-5X	Hose Assembly (12.75"-13.25") Valve Dump Back	1
	329372-1X	Electrical Overspeed Control Installation Kit	1
81	379812	Straight JIC	1
82	379625	90° Elbow JIC	1
83	379833	Seal Nut	1
84	379832	90° Elbow JIC	1
85	379698	Male Elbow	1
86	379486	Straight Thread O-Ring, 90° Elbow JIC	3
87	379736	Wire & Connector Assembly	1
	329374X	Pressure Switch Assembly & Manifold Mounting Parts	1
88	378462	Washer, Spring Retainer (.937" OD x .390" ID x .119")	1
89	379744	Flange Nut (.375"-24)	1
90	378916	Cap Screw, Hex Head (.375"-24 x 1.375")	1
91	379502	Pressure Switch	1
92	379253	Ring Connector	2
	328923-5X	Speed Sensor Extension Cable 5 ft. (Optional)	1

Shift Installation Kit With Electronic Overspeed Control (SK-353 Rev B)

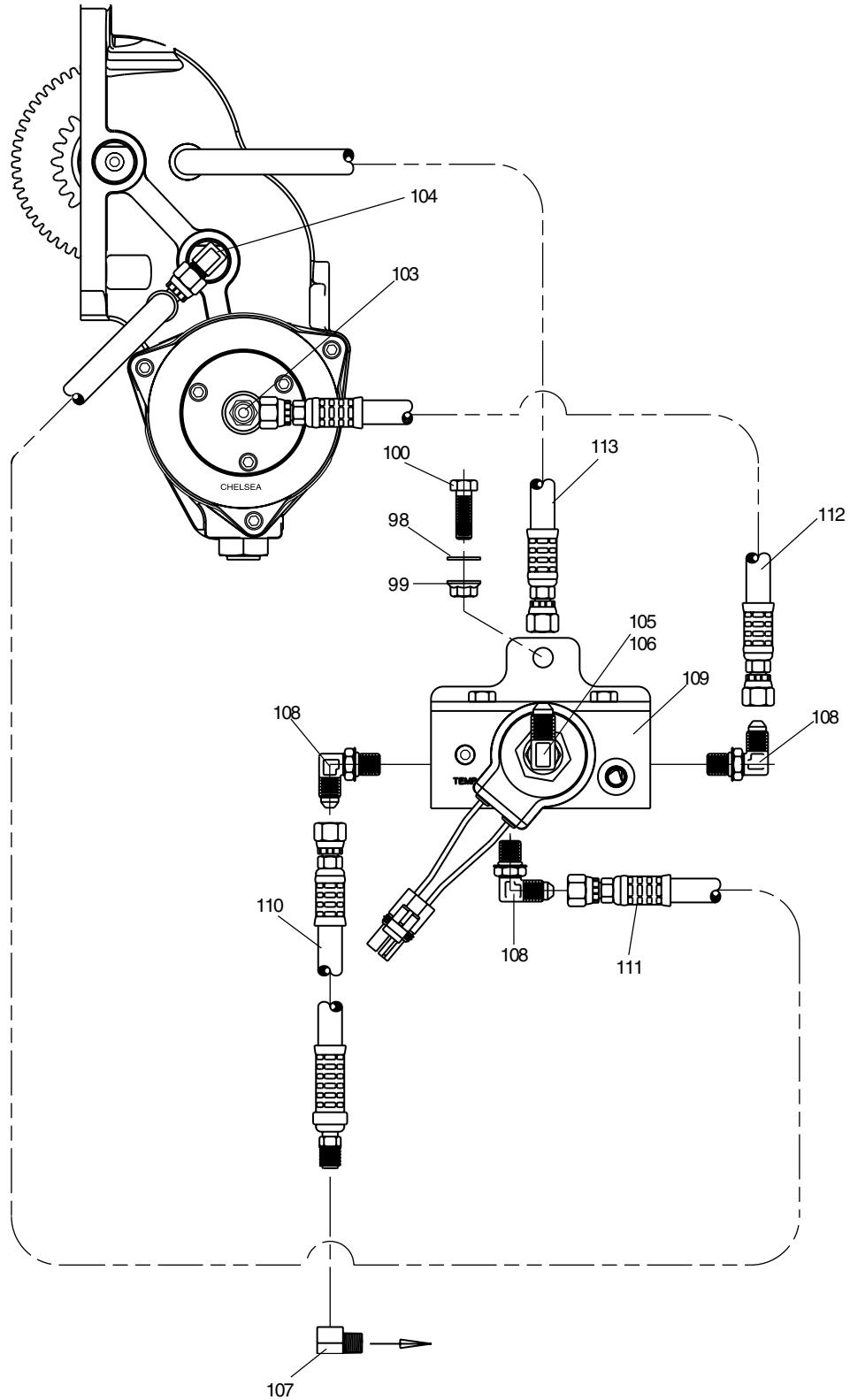


Hydraulic Installation Kit without Electronic Overspeed Control

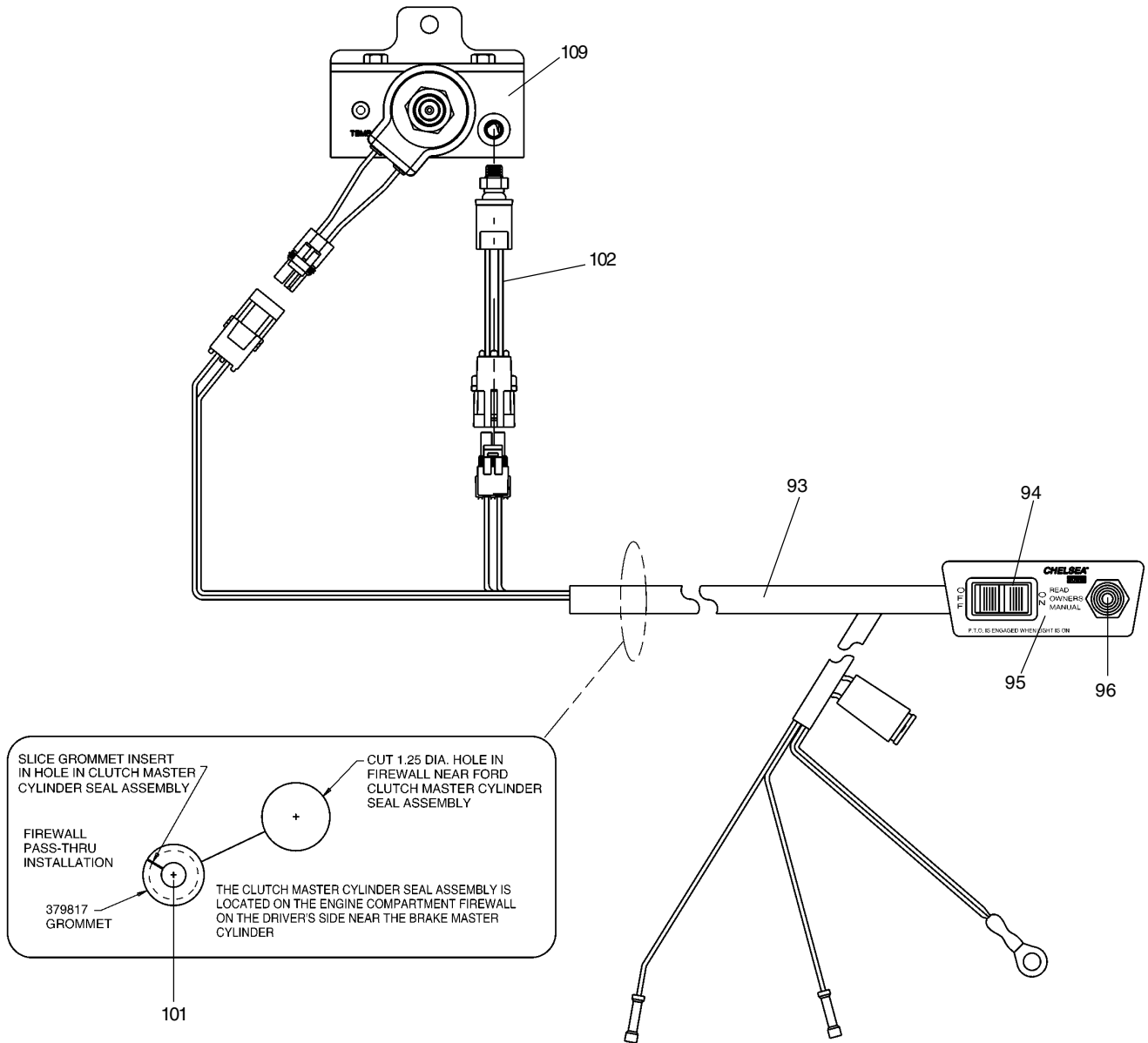
Item	Part Number	Description	Quantity
	329369-1X	WIRE HARNESS, PRESSURE SWITCH & HOSE FITTINGS KIT	1
93	329370-1X	Wiring Harness Assembly	1
94	378881	Rocker Switch	1
95	379336	Switch-Bracket	1
96	378978	Indicator Light, 12V	1
	329374X	Pressure Switch Assembly & Manifold Mounting Parts	1
98	378462	Washer, Spring Retainer (.937"ODX .390" ID x .119")	1
99	379744	Flange Nut (.375"-24 x 1.375")	1
100	378916	Cap Screw, Hex Head (.375"-24X 1.375")	1
101	379817	Grommet	1
102	379502	Pressure Switch	1
	329371X	Hose Fittings Kit	1
103	379812	Male Connector Straight Die Fitting	
104	379625	90° Elbow JIC	1
105	379832	Seal Nut	1
106	379832	90° Elbow JIC	1
107	379698	Male Elbow	1
108	379486	Straight Thread O-Ring, 90° Elbow JIC	3
109	329307-1X	Manifold Block Assembly	1
110	329232-2X	Hose Assembly (12.25"-12.75") Trans. Main Pressure to Manifold "IN"	1
111	329130-9X	Hose Assembly (10.5"-11.0") Manifold "LUBE" to P.T.O. Pressure Lube	1
112	329130X	Hose Assembly (12.0"-12.5") Manifold "OUT" to Clutch Pack	1
113	329057-5X	Hose Assembly (12.75"-13.25") Valve Dump Back	1

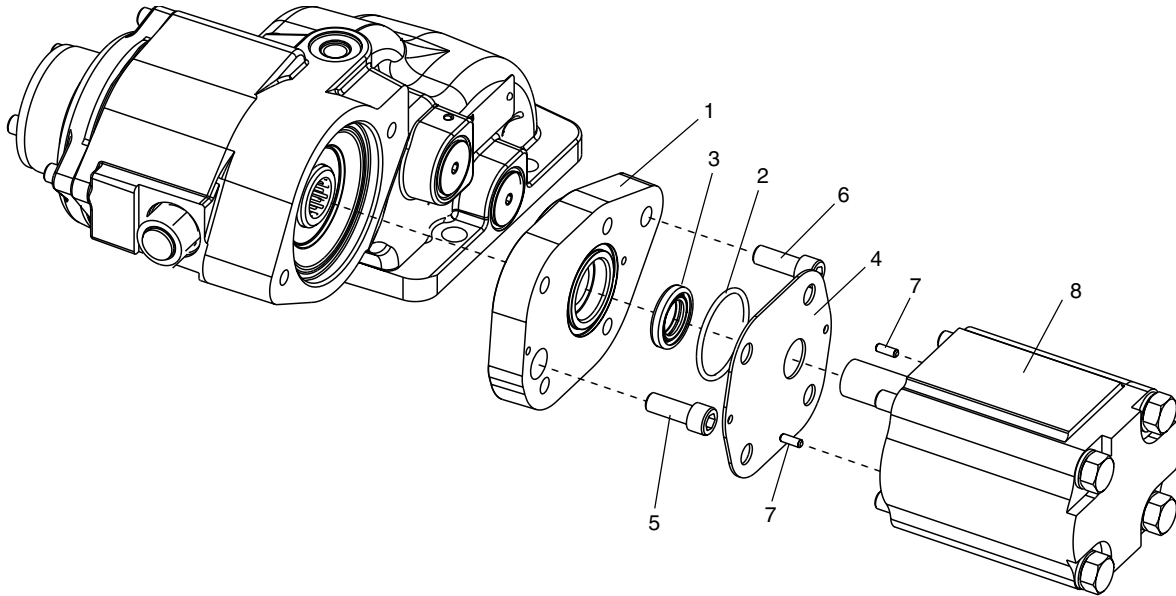
N.S. Not Shown

Hydraulic Installation Kit without Electronic Overspeed Control (SK-352-1)

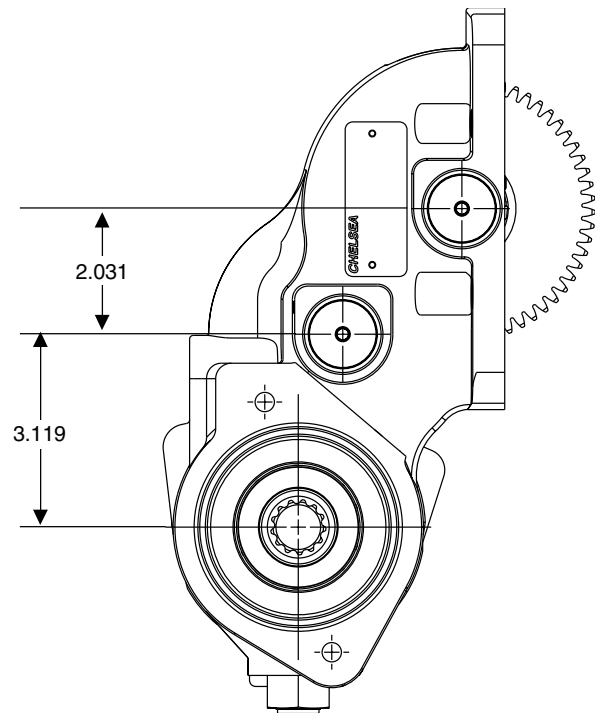
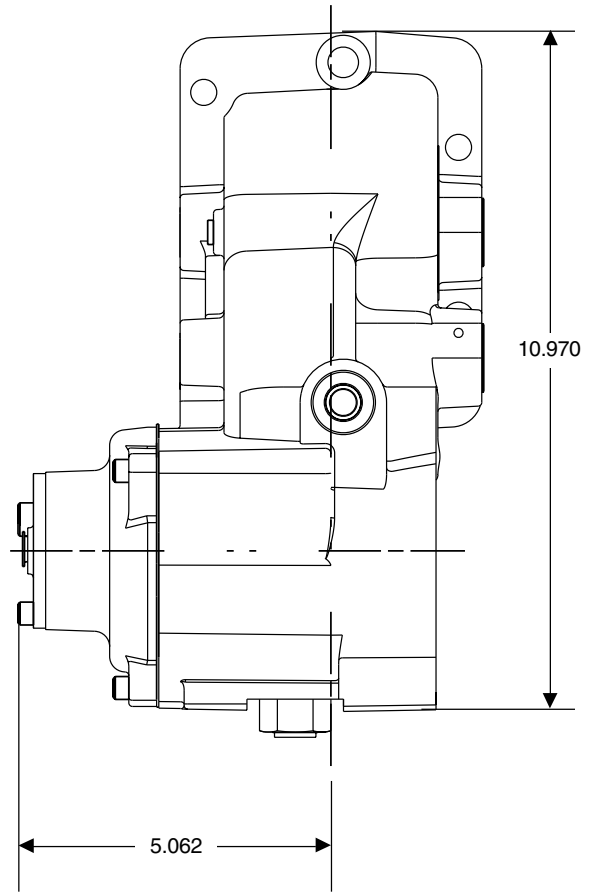
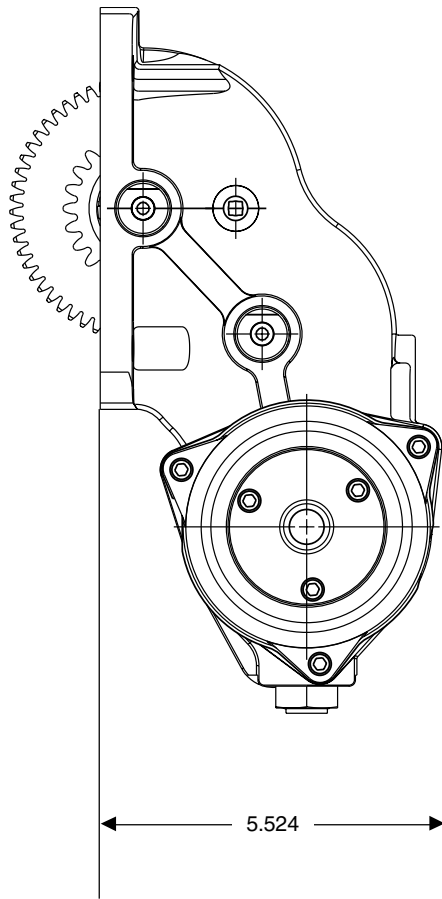


Hydraulic Installation Kit without Electronic Overspeed Control (SK-352-2)



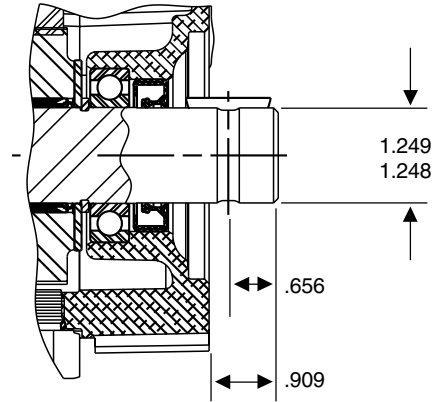
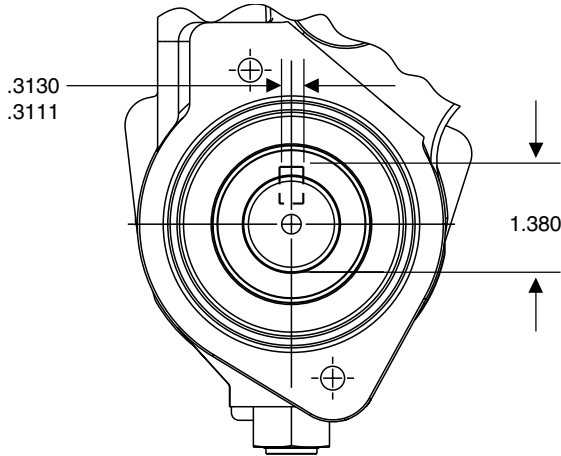


Item	Part Number	Description	Quantity
	329375X	PUMP FIELD CONVERSION KIT FOR 4X4 APPLICATIONS (includes items 1-7)	1
1	26-P-60	Plate Adapter	1
2	28-P-276	O-Ring	1
3	28-P-277	Oil Seal	1
4	378916	Seal Plate	1
5	379433-6	Cap Screw, Socket Head (.375"-16 x 1.00")	1
6	379286-14	Cap Screw, Hex Head (.375"-16 x 1.50")	1
7	379921	Dowel Pin (10 mm)	2
8	PGP-511	Hyd. Pump	1



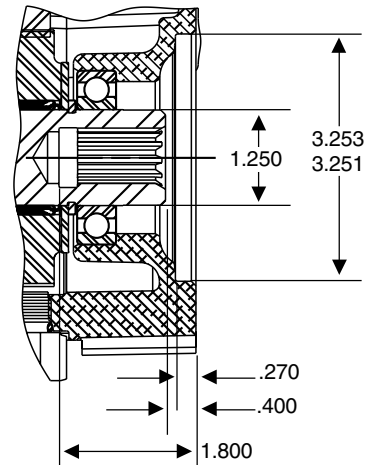
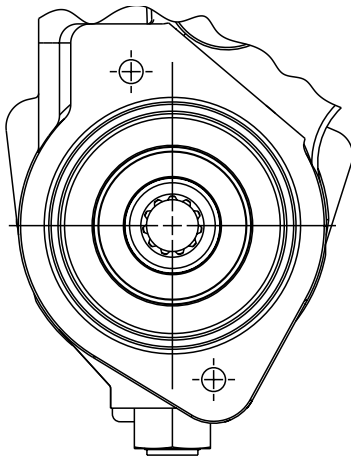
XD Output

1.25" Keyed Shaft
 S.A.E. Class "A" 2 Bolt Flange



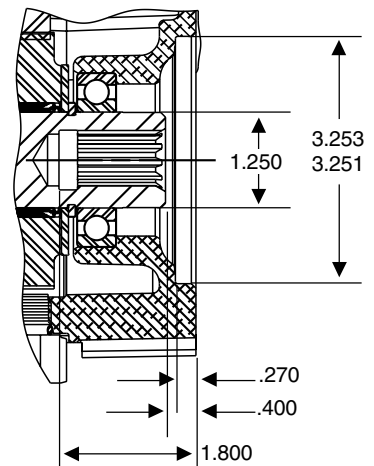
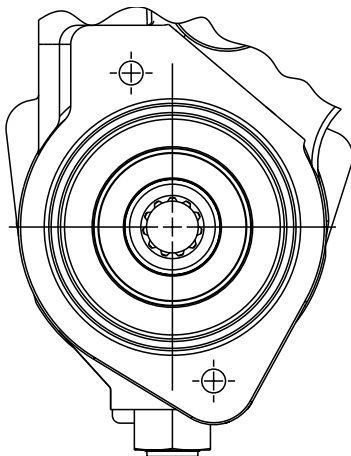
XP Output

7/8"-13Tooth Shaft
 S.A.E. Class "A" 2 Bolt Flange



AD Output

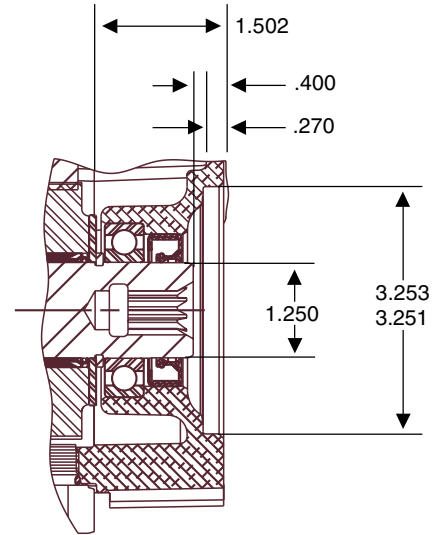
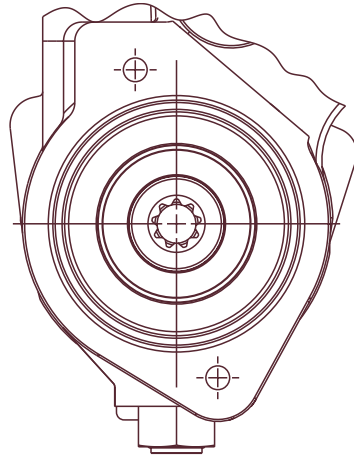
3/4"-11Tooth Shaft
 S.A.E. Class "A" 2 Bolt Flange



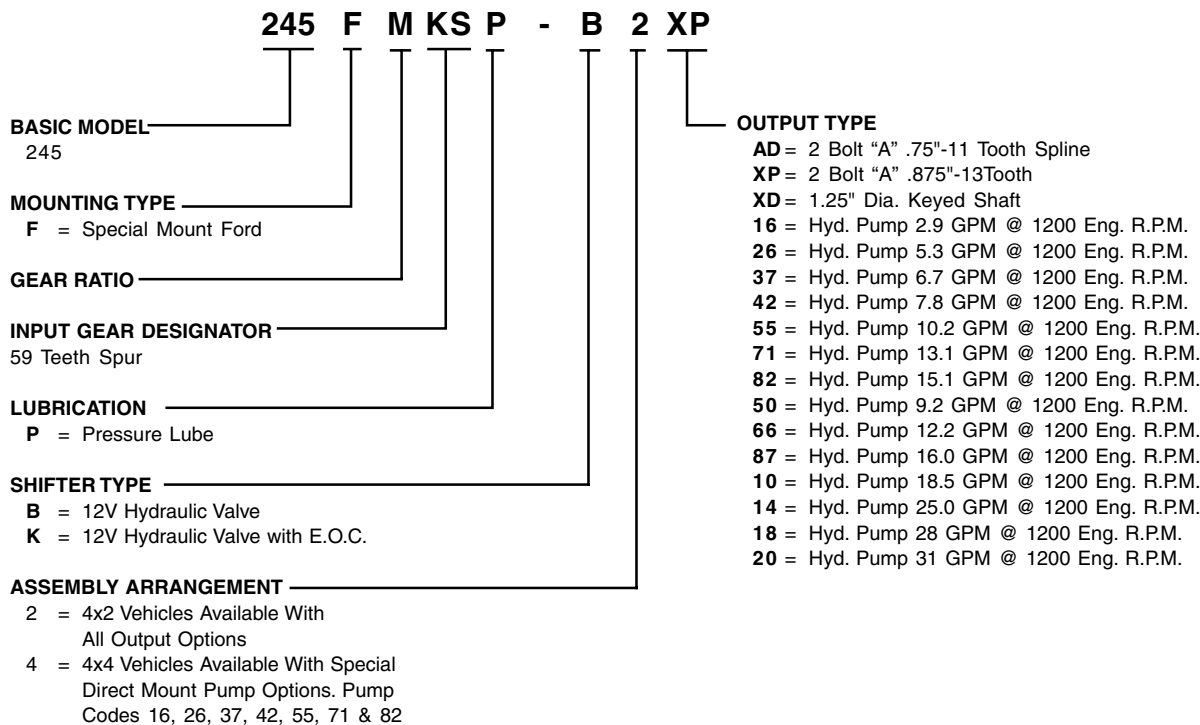
XE Output

5/8"-9 Tooth Shaft

S.A.E. Class "A" 2 Bolt Flange



Model Number Designation



245 Series - Gear Pumps (245FMKSP- B***)

4x4 PTO Model Code (***)	4x2 PTO Model Code (***)	Chelsea Part No.	Parker Pump Series	Displ (cm ³ /rev)	Displ (in ³ /rev)	Displ (gal/rev)	GPM (@ 1200 Engine RPM, 1848 PTO Output RPM)	Hp	Torque (Ft - lbs)	Pressure (psi)	Pressure (Bar)
416	216	CGP-P11A016-5AC	PGP511	6	0.366	0.0016	2.93	6.8	19.4	3988	275
426	226	CGP-P11A026-5AC	PGP511	10	0.610	0.0026	4.88	11.4	32.3	3988	275
437	237	CGP-P11A037-5AC	PGP511	14	0.854	0.0037	6.83	15.9	45.2	3988	275
442	242	CGP-P11A042-5AC	PGP511	16	0.976	0.0042	7.81	18.2	51.7	3988	275
455	255	CGP-P11A055-5AC	PGP511	21	1.282	0.0055	10.25	20.4	57.9	3408	235
471	271	CGP-P11A071-5AC	PGP511	27	1.648	0.0071	13.18	21.2	60.2	2755	190
482	282	CGP-P11A082-5AC	PGP511	31	1.892	0.0082	15.13	21.1	60.0	2393	165
N/A	250	FGP-P17A050-2AC	PGP517	19	1.159	0.0050	9.28	19.6	55.8	3625	250
N/A	266	FGP-P17A066-2AC	PGP517	25	1.526	0.0066	12.20	25.8	73.4	3625	250
N/A	287	FGP-P17A087-2AC	PGP517	33	2.014	0.0087	16.11	34.1	96.8	3625	250
N/A	210	FGP-P17A100-2AC	PGP517	38	2.319	0.0100	18.55	39.2	111.5	3625	250
N/A	214	FGP-P17A137-2AC	PGP517	52	3.173	0.0137	25.39	43.0	122.1	2900	200
N/A	218	P16-180A-2D1	P16	57.53	3.511	0.0152	28.09	36.1	102.5	2200	152
N/A	220	P16-200A-2D1	P16	63.94	3.902	0.0169	31.22	36.4	103.5	2000	138

Note: Pump flow, HP, and Torque values are based on a theoretical 100% pump efficiency.

Note: All FGP-P17 pumps have a special clearance cut to clear the shift lever shaft on the transmission.

Note: All CGP-P11 pumps for 4 x 4 applications must have the standard pump flange removed and are mounted to the PTO using the 26-P-60 adapter plate.

Note: 4 x 4 pump conversion kit is 329375X.

Offer of Sale

The items described in this document and other documents or descriptions provided by Parker Hannifin Corporation, its subsidiaries and its authorized distributors are hereby offered for sale at prices to be established by Parker Hannifin Corporation, its subsidiaries and its authorized distributors. This offer and its acceptance by any customer ("Buyer") shall be governed by all of the following Terms and Conditions. Buyer's order for any such items, when communicated to Parker Hannifin Corporation, its subsidiary or an authorized distributor ("Seller") verbally or in writing, shall constitute acceptance of this offer.

1. Terms and Conditions of Sale: All descriptions, quotations, proposals, offers, acknowledgments, acceptances and sales of Seller's products are subject to and shall be governed exclusively by the terms and conditions stated herein. Buyer's acceptance of any offer to sell is limited to these terms and conditions. Any terms or conditions in addition to, or inconsistent with those stated herein, proposed by Buyer in any acceptance of an offer by Seller, are hereby objected to. No such additional, different or inconsistent terms and conditions shall become part of the contract between Buyer and Seller unless expressly accepted in writing by Seller. Seller's acceptance of any offer to purchase by Buyer is expressly conditional upon Buyer's assent to all the terms and conditions stated herein, including any terms in addition to, or inconsistent with those contained in Buyer's offer. Acceptance of Seller's products shall in all events constitute such assent.

2. Payment: Payment shall be made by Buyer net 30 days from the date of delivery of the items purchased hereunder. Amounts not timely paid shall bear interest at the maximum rate permitted by law for each month or portion thereof that the Buyer is late in making payment. Any claims by Buyer for omissions or shortages in a shipment shall be waived unless Seller receives notice thereof within 30 days after Buyer's receipt of the shipment.

3. Delivery: Unless otherwise provided on the face hereof, delivery shall be made F.O.B. Seller's plant. Regardless of the method of delivery, however, risk of loss shall pass to Buyer upon Seller's delivery to a carrier. Any delivery dates shown are approximate only and Seller shall have no liability for any delays in delivery.

4. Warranty: Seller warrants that the items sold hereunder shall be free from defects in material or workmanship for a period of:

(A) All Power Take-Off units one (1) year from date of installation.

(B) Except 267, 277, 278, 242, 244, 245, 250, 251 and 859 series two (2) years from date of installation. **THIS WARRANTY COMPRISES THE SOLE AND ENTIRE WARRANTY PERTAINING TO ITEMS PROVIDED HEREUNDER. SELLER MAKES NO OTHER WARRANTY, GUARANTEE, OR REPRESENTATION OF ANY KIND WHATSOEVER. ALL OTHER WARRANTIES, INCLUDING BUT NOT LIMITED TO, MERCHANTABILITY AND FITNESS FOR PURPOSE, WHETHER EXPRESS, IMPLIED, OR ARISING BY OPERATION OF LAW, TRADE USAGE, OR COURSE OF DEALING ARE HEREBY DISCLAIMED. NOTWITHSTANDING THE FOREGOING, THERE ARE NO WARRANTIES WHATSOEVER ON ITEMS BUILT OR ACQUIRED WHOLLY OR PARTIALLY, TO BUYER'S DESIGNS OR SPECIFICATIONS.**

5. Limitation Of Remedy: SELLER'S LIABILITY ARISING FROM OR IN ANY WAY CONNECTED WITH THE ITEMS SOLD OR THIS CONTRACT SHALL BE LIMITED EXCLUSIVELY TO REPAIR OR REPLACEMENT OF THE ITEMS SOLD OR REFUND OF THE PURCHASE PRICE PAID BY BUYER, AT SELLER'S SOLE OPTION. IN NO EVENT SHALL SELLER BE LIABLE FOR ANY INCIDENTAL, CONSEQUENTIAL OR SPECIAL DAMAGES OF ANY KIND OR NATURE WHATSOEVER, INCLUDING BUT NOT LIMITED TO LOST PROFITS ARISING FROM OR IN ANY WAY CONNECTED WITH THIS AGREEMENT OR ITEMS SOLD HEREUNDER, WHETHER ALLEGED TO ARISE FROM BREACH OF CONTRACT, EXPRESS OR IMPLIED WARRANTY, OR IN TORT, INCLUDING WITHOUT LIMITATION, NEGLIGENCE, FAILURE TO WARN OR STRICT LIABILITY.

6. Changes, Reschedules and Cancellations: Buyer may request to modify the designs or specifications for the items sold hereunder as well as the quantities and delivery dates thereof, or may request to cancel all or part of this order, however, no such requested modification or cancellation shall become part of the contract between Buyer and Seller unless accepted by Seller in a written amendment to this Agreement. Acceptance of any such requested modification or cancellation shall be at Seller's discretion, and shall be upon such terms and conditions as Seller may require.

7. Special Tooling: A tooling charge may be imposed for any special tooling, including without limitation, dies, fixtures, molds and patterns, acquired to manufacture items sold pursuant to this contract. Such special tooling shall be and remain Seller's property notwithstanding payment of any charges by Buyer. In no event will Buyer acquire any interest in apparatus belonging to Seller which is utilized in the manufacture of the items sold hereunder, even if such apparatus has been specially converted or adapted for such manufacture and notwithstanding any charges paid by Buyer. Unless otherwise agreed, Seller shall

have the right to alter, discard or otherwise dispose of any special tooling or other property in its sole discretion at any time.

8. Buyer's Property: Any designs, tools, patterns, materials, drawings, confidential information or equipment furnished by Buyer or any other items which become Buyer's property, may be considered obsolete and may be destroyed by Seller after two (2) consecutive years have elapsed without Buyer placing an order for the items which are manufactured using such property, Seller shall not be responsible for any loss or damage to such property while it is in Seller's possession or control.

9. Taxes: Unless otherwise indicated on the face hereof, all prices and charges are exclusive of excise, sales, use, property, occupational or like taxes which may be imposed by any taxing authority upon the manufacture, sale or delivery of the items sold hereunder. If any such taxes must be paid by Seller or if Seller is liable for the collection of such tax, the amount thereof shall be in addition to the amounts for the items sold. Buyer agrees to pay all such taxes or to reimburse Seller therefore upon receipt of its invoice. If Buyer claims exemption from any sales, use or other tax imposed by any taxing authority, Buyer shall save Seller harmless from and against any such tax, together with any interest or penalties thereon which may be assessed if the items are held to be taxable.

10. Indemnity For Infringement of Intellectual Property Rights: Seller shall have no liability for infringement of any patents, trademarks, copyrights, trade dress, trade secrets or similar rights except as provided in this Part 10. Seller will defend and indemnify Buyer against allegations of infringement of U.S. Patents, U.S. Trademarks, copyrights, trade dress and trade secrets (hereinafter 'Intellectual Property Rights'). Seller will defend at its expense and will pay the cost of any settlement or damages awarded in an action brought against Buyer based on an allegation that an item sold pursuant to this contract infringes the Intellectual Property Rights of a third party. Seller's obligation to defend and indemnify Buyer is contingent on Buyer notifying Seller within ten (10) days after Buyer becomes aware of such allegations of infringement, and Seller having sole control over the defense of any allegations or actions including all negotiations for settlement or compromise. If an item sold hereunder is subject to a claim that it infringes the Intellectual Property Rights of a third party, Seller may, at its sole expense and option, procure for Buyer the right to continue using said item, replace or modify said item so as to make it noninfringing, or offer to accept return of said item and return the purchase price less a reasonable allowance for depreciation. Notwithstanding the foregoing, Seller shall have no liability for claims of infringement based on information provided by Buyer, or directed to items delivered hereunder for which the designs are specified in whole or part by Buyer, or infringements resulting from the modification, combination or use in a system of any item sold hereunder. The foregoing provisions of this Part 10 shall constitute Seller's sole and exclusive liability and Buyer's sole and exclusive remedy for infringement of Intellectual Property Rights.

If a claim is based on information provided by Buyer or if the design for an item delivered hereunder is specified in whole or in part by Buyer, Buyer shall defend and indemnify Seller for all costs, expenses or judgments resulting from any claim that such item infringes any patent, trademark, copyright, trade dress, trade secret or any similar right.

11. Force Majeure: Seller does not assume the risk of and shall not be liable for delay or failure to perform any of Seller's obligations by reason of circumstances beyond the reasonable control of Seller (hereinafter 'Events of Force Majeure'). Events of Force Majeure shall include without limitation, accidents, acts of God, strikes or labor disputes, acts, laws, rules or regulations of any government or government agency, fires, floods, delays or failures in delivery of carriers or suppliers, shortages of materials and any other cause beyond Seller's control.

12. Entire Agreement/Governing Law: The terms and conditions set forth herein, together with any amendments, modifications and any different terms or conditions expressly accepted by Seller in writing, shall constitute the entire Agreement concerning the items sold, and there are no oral or other representations or agreements which pertain thereto. This Agreement shall be governed in all respects by the law of the State of Ohio. No actions arising out of the sale of the items sold hereunder or this Agreement may be brought by either party more than two (2) years after the cause of action accrues.

9/01-P



Parker Hannifin Corporation
Chelsea Products Division
8225 Hacks Cross Road
Olive Branch, Mississippi 38654 USA
Tel: (662) 895-1011
Fax: (662) 895-1019
www.parker.com/chelsea

FP 03/03 4M